



■Features

- Output constant voltage
- UL, cUL listed, Class P, Type HL
- Universal AC input: 110-277VAC
- Power Factor: up to 0.99
- High efficiency : up to 88%
- Dimming range: 0-100%
- Load: 10-100%
- Protection:short circuit/over loading/ Over temperature
- PWM output, does not change the color index
- Full protection aluminum housing, for dry, damp, wet location (IP67)
- Flicker-free
- Compatible with Forward phase, Reverse phase, Triac, MLV, ELV Dimmers
- Cooling by free air convection
- Suitable for LED lighting and moving sign applications



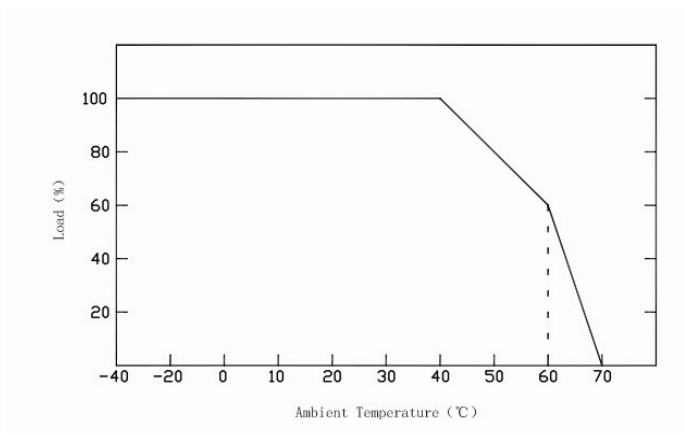
FCC Class 2 Class P

■Specification

Model		HLG-24300-DTWRV
Certificates		FCC UL cUL
Output	DC Voltage	24V
	Rated Current	12.5A
	Rated Power	300W
	Voltage Tolerance	±0.5V
	Voltage Regulation	±0.5%
	Load Regulation	±1%
Input	Voltage Range	110-277VAC
	Frequency Range	47-63Hz
	Power Factor (Typ.) @ full load	0.99@120VAC 0.97@277VAC
	THD (Typ.) @ full load	<20%
	Efficiency (Typ.) @ full load	88%
	AC Current (Max.)	3.4A@110VAC
	Inrush Current (Typ.)	20A, 50%, 1.9ms
	Leakage current	<0.5mA
Protection	Short Circuit	shut down o/p voltage, re-power on to recover after fault condition is removed
	Over Loading	≤120% Hiccup mode,recovers automatically after fault condition is removed
	Over temperature	100°C±10°C shut down o/p voltage, automatically recover after cooling.
Environment	Working TEMP.	-40~+60°C (see below derating curve)
	Working Humidity	20~90% RH, non-condensing
	Storage TEMP. Humidity	-40~+80°C, 10~95%RH
	TEMP .coefficient	±0.03%/°C (0~50°C)
	Vibration	10~500Hz, 5G 10min./1 cycle,period for 60min. each along X,Y,Z axes
Safety& EMC	Safety standards	UL8750
	Withstand voltage	I/P-O/P:1.88KVac
	Isolation resistance	I/P-O/P:100MΩ/500VDC/25°C/70%RH
	EMC EMISSION	FCC Part 15 B
others	Net. Weight	1.7Kg
	Size	276*78*47mm (L*W*H)
	packing	10PCS/CTN

Notes	<p>1. All parameters if NOT specially mentioned are measured at 120VAC input , rated load and 25°C of ambient temperature.</p> <p>2. To extend the driver's using life ,please reduce the loading at lower input voltage.</p>
--------------	---

Derating Curve

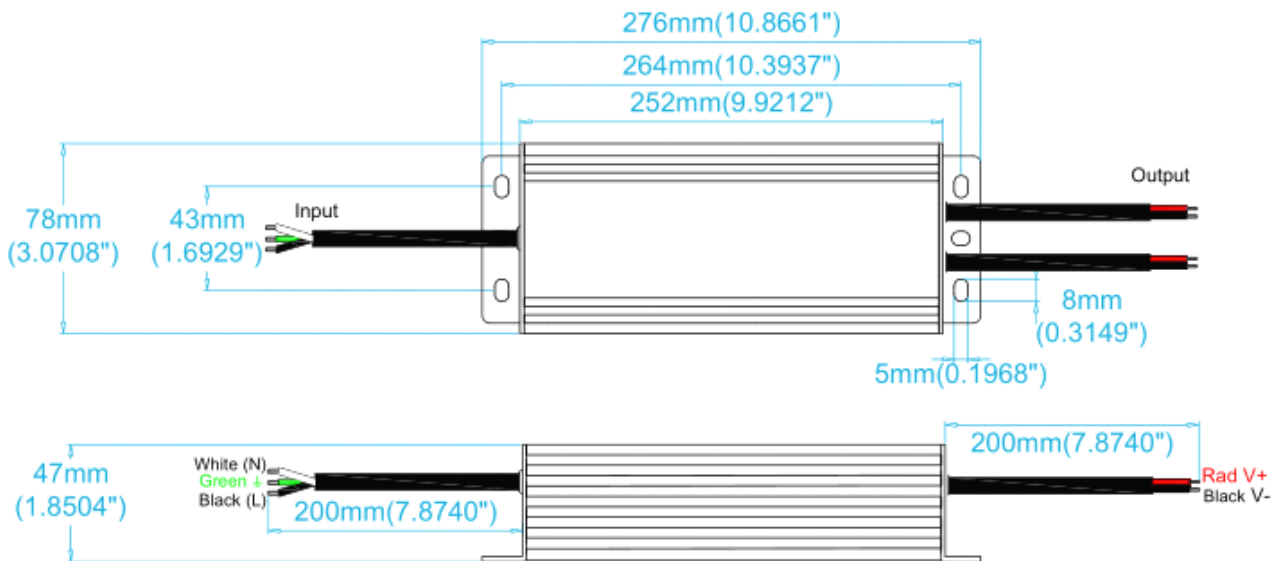


※To extend their life, please refer to the Derating Curve and derate according to the temperature.

Mechanical Specification

Unit: mm

Tolerance:P 0.5-2mm



※ Input Rubber wire 3*18AWG Black and White to be connected to AC L and N ,Green wire go ground,

※Output Rubber wire, 2*14AWG Red to LED Positive side (+) , Black to LED Negative side (-). (noted that 12V 300W is with 2 group of 2*14AWG output wires to separate the output current.)

Dimming Operation

※The Pulse-Width Modulation (PWM) of output voltage can be adjusted through input terminal of the AC phase line(L) by connection a phase/triac dimmer.

※Usually matching with Forward phase , leading edge , Magnetic low voltage, triac dimmers, or Reverse phase, trailing edge ,Electric low voltage Dimmers.

※Please try to use dimmers with power at least 1.5 times as the output power of the driver.

■ Connecting Diagram

